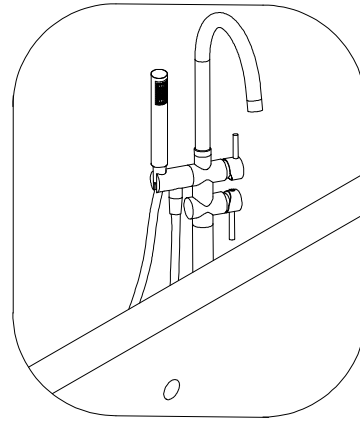
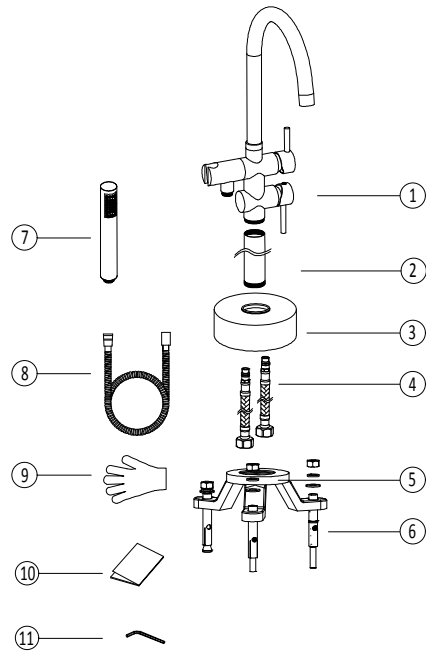


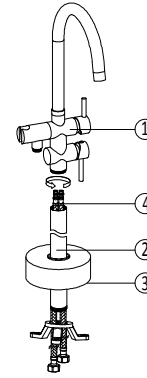
Floor bathtub mixer instruction

Please inspection all spare parts list when you open box, if any problem, please contact with seller. Spare parts list as follow.

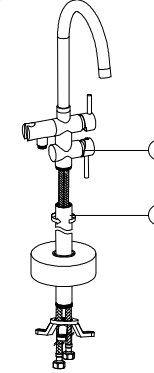
NO.	Product Description	PCS
1	Main Body	1
2	Straight Tube	1
3	Decorative Cover	1
4	Inlet Tube	2
5	Bolts Holder	1
6	Expansion Bolts	3
7	Hand shower	1
8	Shower hose	1
9	Glove	1
10	Instruction	1
11	Screw tool	1



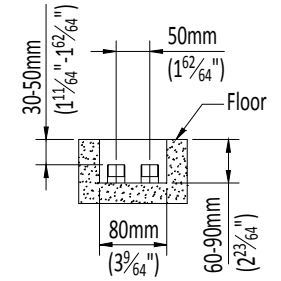
1. Connect the straight tube, decorative cover and bolts holder to inlet tube then screw the inlet tube to main body .



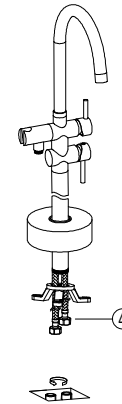
2. Connect the main body with straight tube by twisting it. Accessory ⑩ is a spare. When you need to clean the cartridge, you can use accessory ⑩ to remove the handle first.



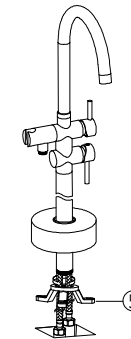
3. Prepare water inlet like the drawing below.



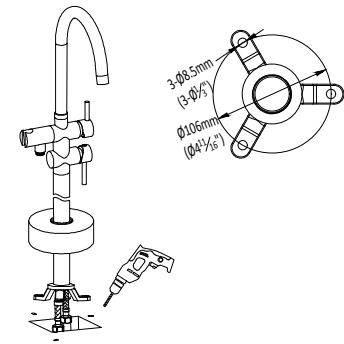
4. Connect the inlet tube like the drawing.



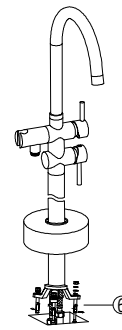
5. Twist the bolts holder to the faucet.



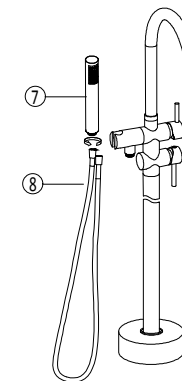
6. Drill holes on floor based on the drawing.



7. Connect the inlet tube like the drawing.



8. Twist the shower tube to both faucet and hand shower .



9. Finished assembly.

